

<Features>

- 16mm width compact slide rail.
- Correspondence until the slide length 300mm

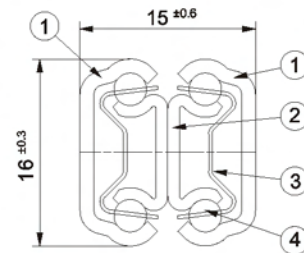
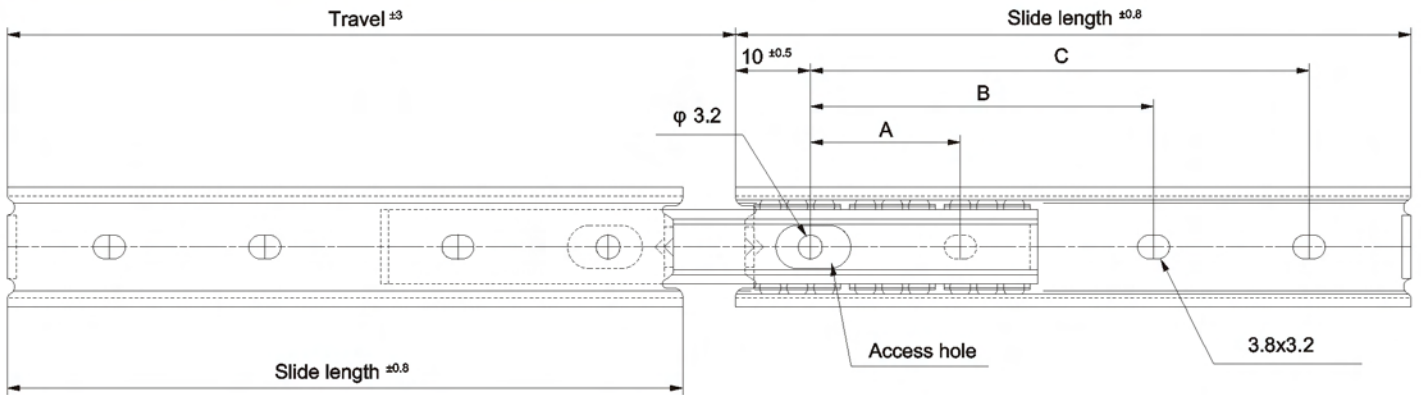
<Recommended screws>

- M3 pan head screws

<Grease>

- Nichimoly G-03031X

Miniature type



Part numbe	Slide length (mm)	Travel (mm)	Mounting hole (mm) ± 0.3 mm			Load capacity (N/pair)	Product weight (g/piece)	Quantity in package (pieces)
			A	B	C			
70A	70.0	80.6	-	-	50.0	98	50	208
100A	100.0	115.2	-	40.0	70.0	98	75	104
125A	125.0	139.8	-	50.0	95.0	98	90	104
150A	150.0	164.4	-	60.0	120.0	98	110	104
200A	200.0	213.6	-	95.0	170.0	98	150	52
250A	250.0	262.8	80.0	150.0	220.0	98	185	52
300A	300.0	312.0	95.0	180.0	270.0	98	225	52

Number	Part name	Material	Remark
①	Cabinet member	SUS304	t:1.2
	Drawer member	SUS304	t:1.2
②	Center member	SUS304	t:1.0
③	Ball retainer	SUS304	t:0.3
④	Ball	SWCH	7/64"

* For special sizes, contact our sales staff.

* Changes may be made without notice for improved quality, environment, and safety, without affecting function or mounting.

(*1) Balls are SWCH

ORDER OK!

For requests concerning special sizes or specification changes etc., contact our sales staff.

Product number (product name) composition	Model name	Part number
	U1631	- 70A