

<Features>

- 16mm width compact slide rail.
- Correspondence until the slide length 200mm

<Recommended screws>

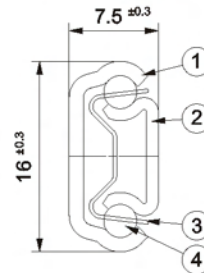
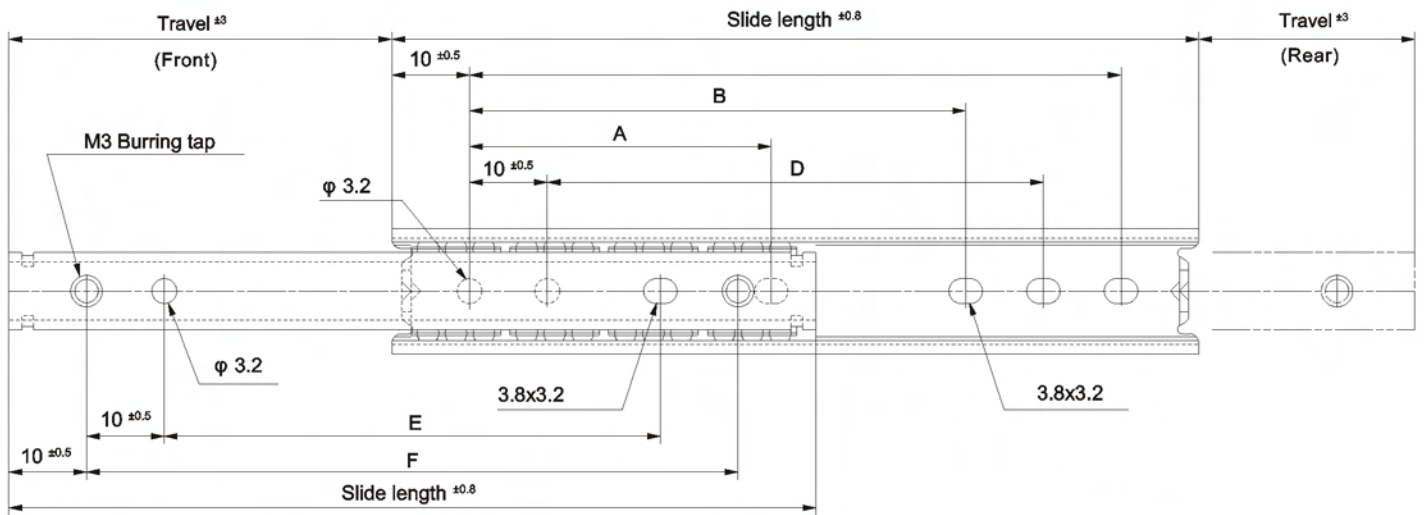
- M3 pan head screws

[Caution]

- Inner member mounting screw length must be within mounting material thickness +2.0mm. (Long screws will contact the ball retainer and impede rail operation or cause damage.)

<Grease>

- Nichimoly G-03031X



Part number	Slide length (mm)	Travel (mm)	Mounting hole (mm) ± 0.3 mm						Load capacity (N/pair)	Product weight (g/piece)	Quantity in package (pieces)
			A	B	C	D	E	F			
70	70.0	15.4	-	-	50.0	30.0	30.0	50.0	98	30	416
100	100.0	20.0	-	-	80.0	60.0	60.0	80.0	98	40	208
125	125.0	32.3	-	-	105.0	85.0	85.0	105.0	98	50	208
150	150.0	44.6	-	-	130.0	110.0	110.0	130.0	98	60	208
200	200.0	69.2	50.0	130.0	180.0	160.0	160.0	180.0	98	80	104

Number	Part name	Material	Remark
①	Outer member	SUS304	t:1.2
②	Inner member	SUS304	t:1.0
③	Ball retainer	SUS304	t:0.3
④	Ball	SWCH	7/64"

* For special sizes, contact our sales staff.

* Changes may be made without notice for improved quality, environment, and safety, without affecting function or mounting.

(*1) Balls are SWCH

ORDER OK!

For requests concerning special sizes or specification changes etc., contact our sales staff.

Product number (product name) composition	Model name	Part number
	U1620	- 70