

<Features>

- 14-mm width compact slide rail.
- Series cumulative sales of over 2.7 million. (as of our research in August 2014)

<Recommended screws>

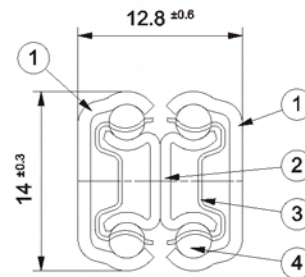
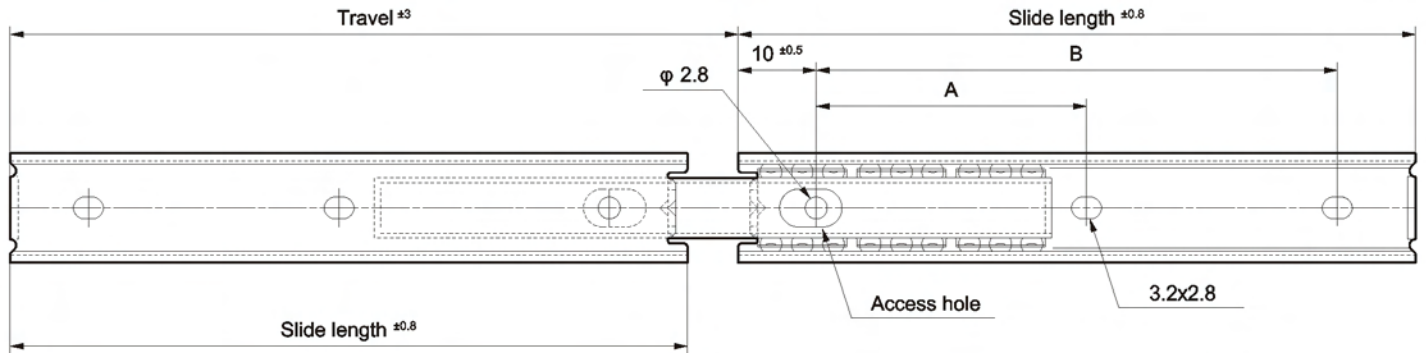
- M2.6 Cross-recessed pan head screw for precision equipment

[Caution]

- General pan head screws may contact the ball retainer and impede rail operation or cause damage.

<Grease>

- Nichimoly G-03031X



Part number	Slide length	Travel	Mounting hole (mm) ± 0.3 mm		Load capacity (N/pair)	Product weight (g/piece)	Quantity in package (pieces)
	(mm)		A	B			
70A	70.0	82.7	-	50.0	98	40	240
100A	100.0	117.3	40.0	70.0	98	55	120
125A	125.0	141.9	50.0	95.0	98	70	120
150A	150.0	166.5	60.0	120.0	98	80	120

Number	Part name	Material	Remark
①	Cabinet member	SUS304	t: 1.0
	Drawer member	SUS304	t: 1.0
②	Center member	SUS304	t: 0.8
③	Ball retainer	SUS304	t: 0.3
④	Ball	SWCH	7/64"

* For special sizes, contact our sales staff.

* Changes may be made without notice for improved quality, environment, and safety, without affecting function or mounting.

(*1) Balls are SWCH.

ORDER OK!

For requests concerning special sizes or specification changes etc., contact our sales staff.

Product number (product name) composition	Model name	Part number
	U1431	- 70A