

<Features>

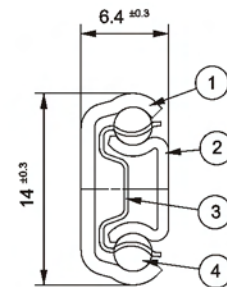
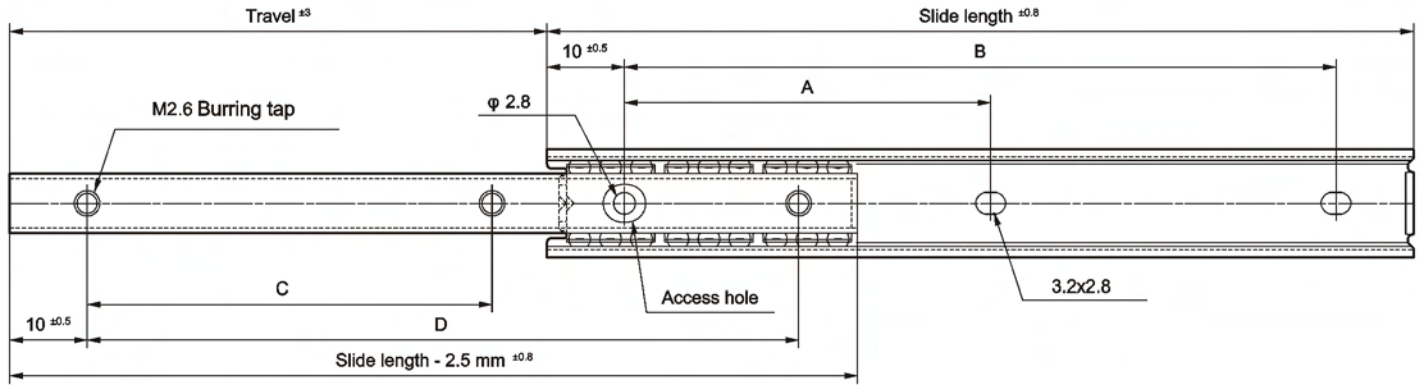
- 14-mm width compact slide rail.
- Series cumulative sales of over 2.7 million.
(as of our research in September 2014)

<Recommended screws>

- M2.6 Cross-recessed pan head screw for precision equipment
[Caution]
 - Inner member mounting screw length must be within mounting material thickness + 2.0 mm. (Long screws will contact the ball retainer and impede rail operation or cause damage.)
 - Ordinary pan head screws may contact the ball retainer and impede rail operation or cause damage.

<Grease>

- Nichimoly G-03031X



| Part number | Slide length (mm) | Travel (mm) | Mounting hole (mm) ± 0.3 mm | | | | Load capacity (N/pair) | Product weight (g/piece) | Quantity in package (pieces) |
|-------------|-------------------|-------------|-----------------------------|-------|------|-------|------------------------|--------------------------|------------------------------|
| | | | A | B | C | D | | | |
| 70B | 70.0 | 40.0 | - | 50.0 | - | 50.0 | 98.0 | 20 | 480 |
| 100B | 100.0 | 70.0 | 40.0 | 70.0 | 40.0 | 80.0 | 98.0 | 30 | 240 |
| 125B | 125.0 | 82.0 | 50.0 | 95.0 | 50.0 | 105.0 | 98.0 | 35 | 240 |
| 150B | 150.0 | 95.0 | 60.0 | 120.0 | 65.0 | 130.0 | 98.0 | 40 | 240 |

| Number | Part name | Material | Remark |
|--------|---------------|----------|--------|
| ① | Outer member | SUS304 | t: 1.0 |
| ② | Inner member | SUS304 | t: 0.8 |
| ③ | Ball retainer | SUS304 | t: 0.3 |
| ④ | Ball | SWCH | 7/64" |

* For special sizes, contact our sales staff.

* Changes may be made without notice for improved quality, environment, and safety, without affecting function or mounting.

(*1) Balls are SWCH.

ORDER OK!

For requests concerning special sizes or specification changes etc., contact our sales staff.

| Product number (product name) composition | Model name | Part number |
|---|------------|-------------|
| | U1421 | - 70B |