



<Features>

- Heavy-duty linear motion slide.
- Inner member moves linearly within outer member.

<Recommended screws>

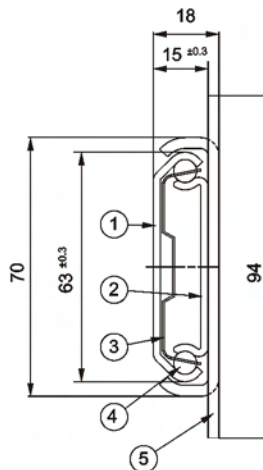
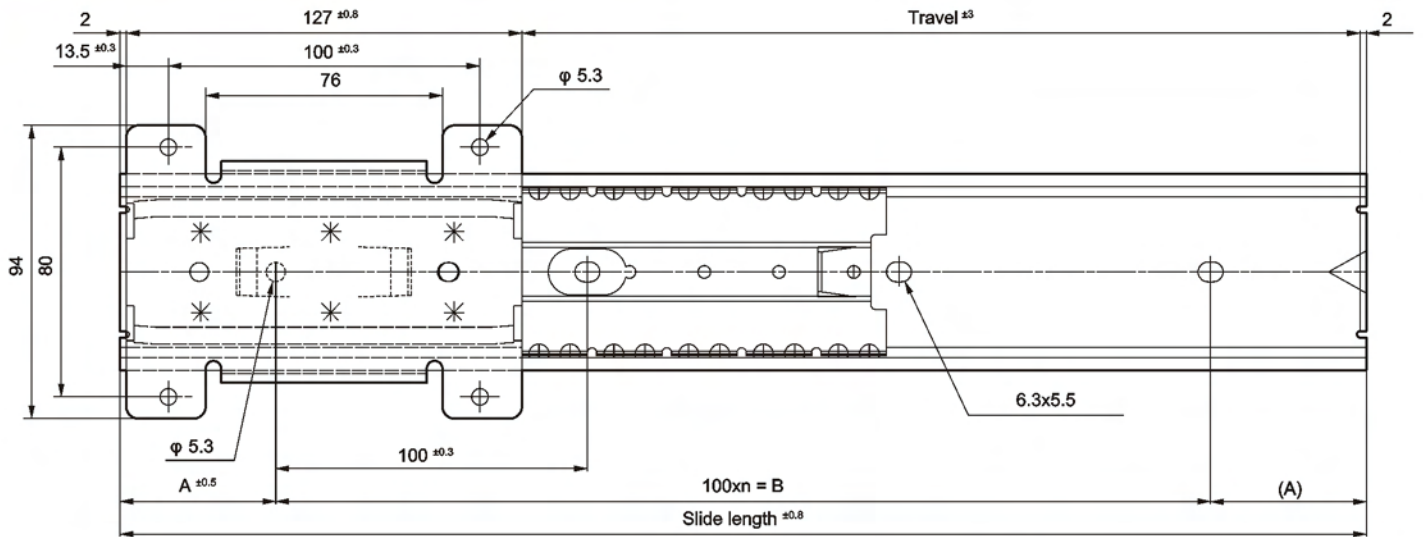
- M5 truss head screw or binding head screw

<Grease>

- JX Nippon Oil and Energy EPNOC Grease AP(N) 2

<Surface treatment>

- Part numbers (1) (2) (5): Electrogalvanizing (trivalent bright chromate)



High load type

Part number	Slide length (mm)	Travel (mm)	Mounting hole (mm)			Product weight (kg/plece)
			A	n	B ±0.3	
300	300	169	50	2	200	0.86
350	350	219	25	3	300	0.94
400	400	269	50	3	300	1.02
450	450	319	25	4	400	1.09
500	500	369	50	4	400	1.16
550	550	419	25	5	500	1.25
600	600	469	50	5	500	1.33
650	650	519	25	6	600	1.40
700	700	569	50	6	600	1.47
750	750	619	25	7	700	1.55
800	800	669	50	7	700	1.63
850	850	719	25	8	800	1.70
900	900	769	50	8	800	1.77
950	950	819	25	9	900	1.85
1000	1000	869	50	9	900	1.92

Number	Part name	Material	Remark
①	Outer member	SPCC	t: 2.0
②	Inner member	SPCC	t: 2.0
③	Ball retainer	SECC	t: 0.6
④	Ball	SWCH	1/4"
⑤	Mounting plate	SPHC-P	t: 3.0

* For special sizes, contact our sales staff.

* Changes may be made without notice for improved quality, environment, and safety, without affecting function or mounting.

ORDER OK!

For requests concerning special sizes or specification changes etc., contact our sales staff.

Product number (product name) composition	Model name	Part number
	6315	- 300