



<Features>

- Standard-use 35-mm sized slide rail.

<Recommended screws>

- M4 truss head screw or binding head screw

<Grease>

- JX Nippon Oil and Energy EPNOC Grease AP(N) 2

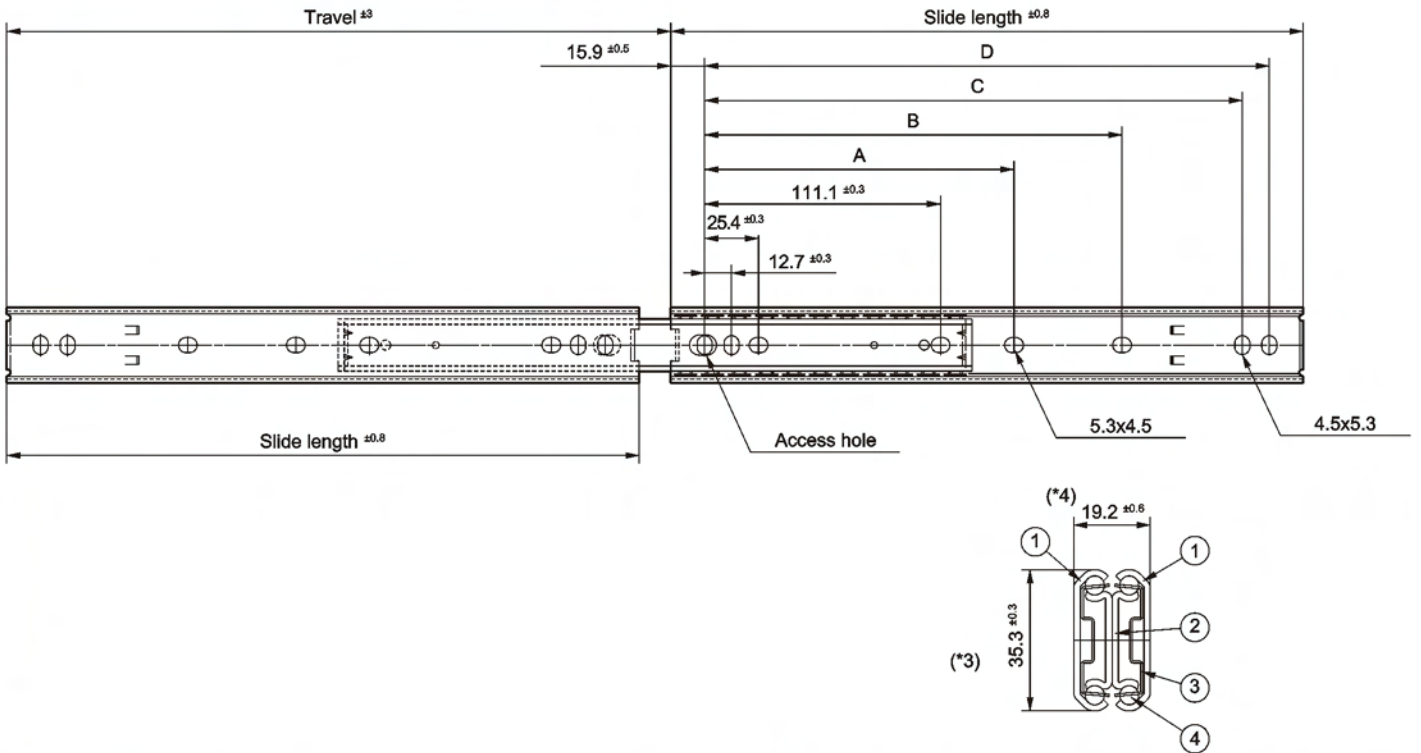
<Surface treatment>

- Part numbers (1) (2): Electrogalvanizing (trivalent bright chromate); however, U31 is stainless steel and therefore unplated.

<Other>

- As special order specifications, we can also manufacture the quiet movement type (3531M) and the closing/draw-out hold-detent mechanism type among others.

Middle load type



Part number	Slide length (mm)	Travel (mm)	Mounting hole (mm) ± 0.3 mm				Load capacity (N/pair)	Product weight (kg/piece)	Quantity in package (pieces)
			A	B	C	D			
12	304.8	326	-	149.2	260.3	273.0	431	0.63	20
14	355.6	377	-	200.0	311.1	323.8	451	0.75	20
16	406.4	428	-	250.8	361.9	374.6	451	0.85	20
18	457.2	479	212.7	301.6	412.7	425.4	471	0.96	20
20	508.0	529	238.1	352.4	463.5	476.2	451	1.07	20
22	558.8	580	263.5	403.2	514.3	527.0	441	1.18	20
24	609.6	631	288.9	454.0	565.1	577.8	422	1.28	10
26	660.4	682	314.3	504.8	615.9	628.6	412	1.41	10
28	711.2	732	339.7	555.6	666.7	679.4	402	1.50	10

Number	Part name	Material (*1)	Remark (*2)
①	Cabinet member	SPCC	t: 1.6
	Drawer member	SPCC	t: 1.6
②	Center member	SPCC	t: 1.6
③	Ball retainer	SECC	t: 0.6
④	Ball	SWCH	3/16"

* For special sizes, contact our sales staff.

* Changes may be made without notice for improved quality, environment, and safety, without affecting function or mounting.

- (*1) The SUS model (U31) material is SUS304 for (1) to (4).
- (*2) The SUS model (U31) plate thickness is t: 1.5 for (1) to (2).
- (*3) The SUS model height is 35.1 mm
- (*4) The SUS model thickness is 19.0 mm

ORDER OK!

For requests concerning special sizes or specification changes etc., contact our sales staff.

Product number (product name) composition	Model name	Part number
	3531	- 12