

DC type of retention mechanism with storage is available. For more information, please contact us.

DC type[Special order]

<Features>

- The inner member can be disconnected through disconnect spring operation.
- [Caution] Do not insert the disconnected inner member into another rail. (It may lead to poor operation.)
- Three types of disconnect springs are available, with differing lock methods at closing.
- A lead-in guide is attached, so that the inner member can be easily reinserted.
- Standard-use 35-mm sized slide rail.

<Recommended screws>

- M4 truss head screw or binding head screw

<Grease>

- JX Nippon Oil and Energy EPNOC Grease AP(N)2

<Surface treatment>

- Part numbers(1) (2): Electrogalvanizing (trivalent bright chromate)

Selecting a disconnect spring

Stopper takes effect at draw-out, and is manually released at inner disconnect. Lock release method at closing can be selected by disconnect spring type.

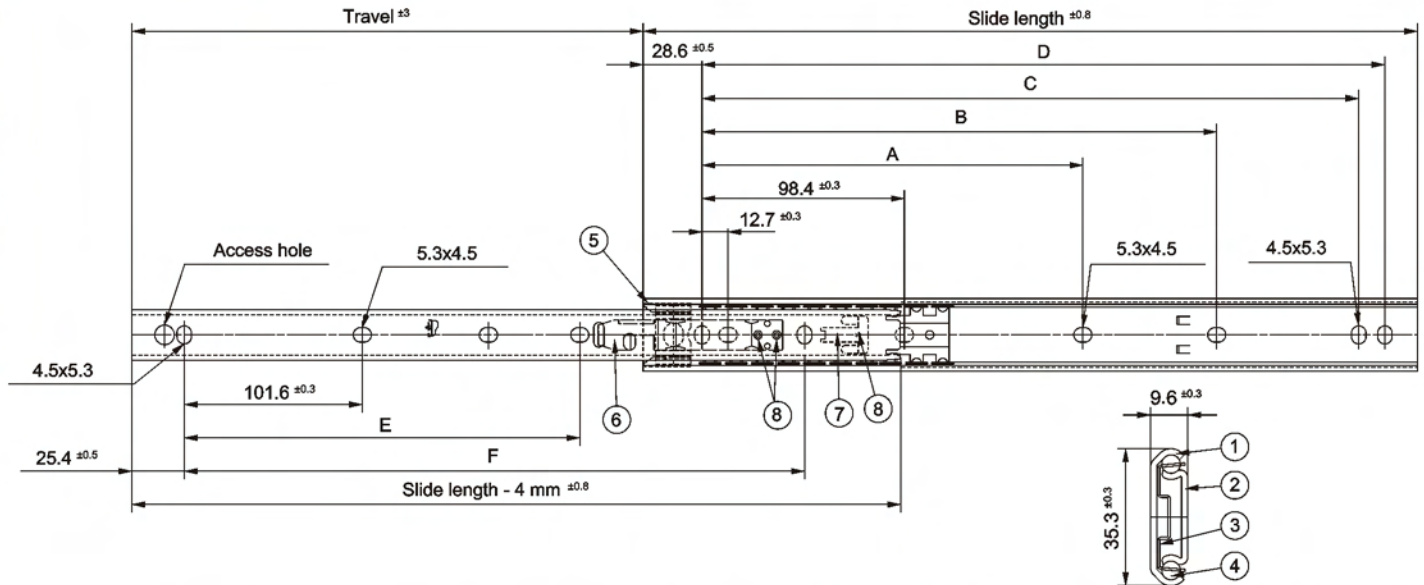
Type Lock release method

C2 Manual release

C3 Automatic release (release and closing without spring operation)

C4 Hold-detent (release and closing with minimal force, without spring operation)

Middle load type



Part number	Slide length (mm)	Travel (mm)	Mounting hole (mm) ± 0.3 mm						Load capacity (N/pair)	Product weight (kg/piece)	Quantity in package (pieces)
			A	B	C	D	E	F			
12A	304.8	224	-	136.5	247.6	260.3	152.4	-	314	0.33	40
14A	355.6	275	-	187.3	298.4	311.1	203.2	-	284	0.38	40
16A	406.4	315	-	238.1	349.2	361.9	254.0	-	353	0.44	40
18A	457.2	330	200.0	288.9	400.0	412.7	203.2	406.4	422	0.49	40
20A	508.0	381	225.4	339.7	450.8	463.5	228.6	457.2	392	0.54	40
22A	558.8	406	250.8	390.5	501.6	514.3	254.0	508.0	441	0.59	40
24A	609.6	432	276.2	441.3	552.4	565.1	279.4	558.8	441	0.65	20
26A	660.4	483	301.6	492.1	603.2	615.9	304.8	609.6	412	0.70	20
28A	711.2	493	327.0	542.9	654.0	666.7	330.2	660.4	412	0.75	20

Number	Part name	Material	Remark
①	Outer member	SPCC	t=1.6
②	Inner member	SPCC	t=1.6
③	Ball retainer	SECC	t=0.8
④	Ball	SWCH	3/16"
⑤	Lead-in guide	POM	-
⑥	Disconnect spring	SUS304	t=0.8
⑦	Ball retainer spring	SUS304	t=0.3
⑧	Hollow rivet	SWCH	-

* For special sizes, contact our sales staff.

* Changes may be made without notice for improved quality, environment, and safety, without affecting function or mounting.

ORDER OK!

For requests concerning special sizes or specification changes etc., contact our sales staff.

Product number (product name) composition	Model name	Part number	Disconnect spring type
	3525	12A	C3