



<Features>

- Standard-use 35-mm sized slide rail..
- [Caution]  
Do not insert the disconnected inner member into another rail.  
(It may lead to poor operation.)

<Recommended screws>

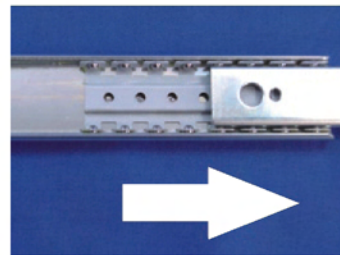
- M4 truss head screw or binding head screw

<Grease>

- JX Nippon Oil and Energy EPNOC Grease AP(N)2

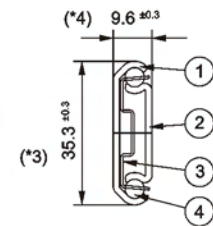
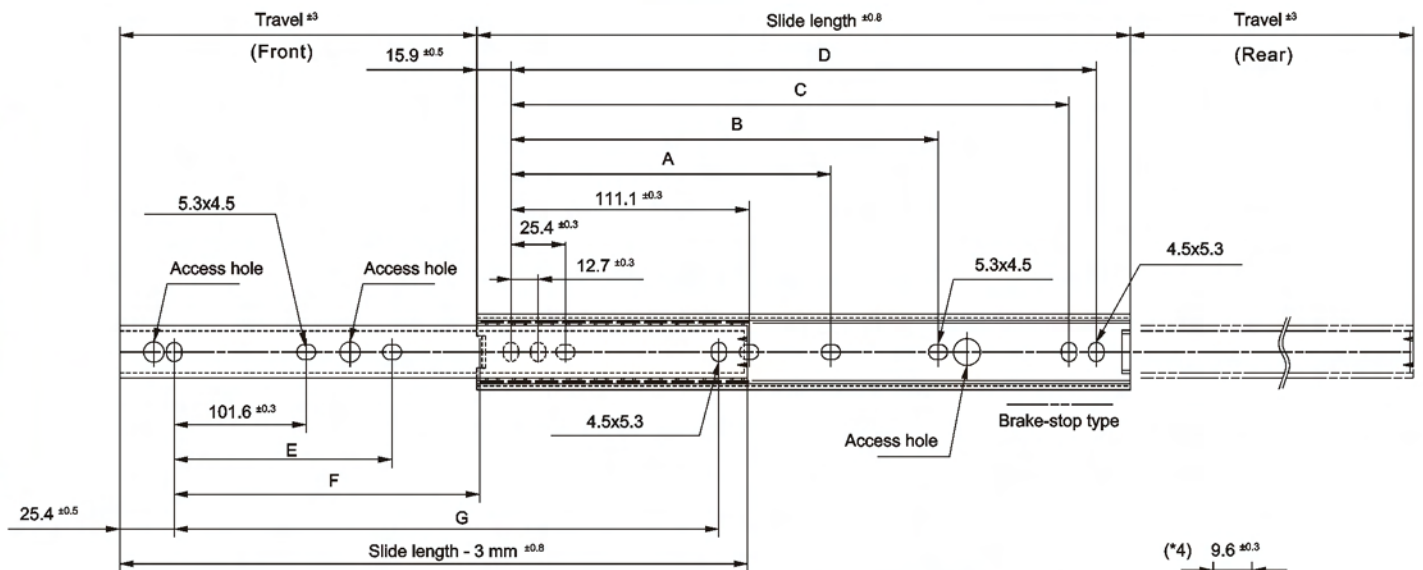
<Surface treatment>

- Part numbers(1) (2): Electrogalvanizing (trivalent bright chromate); however, U20 is stainless steel and therefore unplated.



Rear side, after a full travel can strongly pull out the inner member.

Middle load type



Part number	Slide length (mm)	Travel (mm)	Mounting hole (mm) ± 0.3 mm							Load capacity (N/pair)	Product weight (kg/piece)	Quantity in package (pieces)
			A	B	C	D	E	F	G			
12A	304.8	227	-	149.2	260.3	273.0	-	152.4	254.0	314	0.30	40
14A	355.6	278	-	200.0	311.1	323.8	-	203.2	304.8	284	0.35	40
16A	406.4	303	-	250.8	361.9	374.6	-	254.0	355.6	353	0.41	40
18A	457.2	328	212.7	301.6	412.7	425.4	203.2	304.8	406.4	422	0.46	40
20A	508.0	379	238.1	352.4	463.5	476.2	228.6	355.6	457.2	392	0.51	40
22A	558.8	405	263.5	403.2	514.3	527.0	254.0	406.4	508.0	441	0.58	40
24A	609.6	430	288.9	454.0	565.1	577.8	279.4	457.2	558.8	441	0.82	20
26A	660.4	481	314.3	504.8	615.9	628.6	304.8	508.0	609.6	412	0.88	20
28A	711.2	506	339.7	555.6	666.7	679.4	330.2	558.8	660.4	412	0.73	20

\* For special sizes, contact our sales staff.

\* Product number (product name) composition Model name Part number

- (\*1) The SUS model (U20) material is SUS304 for (1) to (4)
- (\*2) The SUS model (U20) plate thickness is t:1.5 for (1) to (2)
- (\*3) The SUS model height is 35.1mm
- (\*4) The SUS model thickness is 9.5mm

Number	Part name	Material	Remark
①	Outer member	SPCC	t=1.8
②	Inner member	SPCC	t=1.6
③	Ball retainer	SECC	t=0.6
④	Ball	SWCH	3/16"

ORDER OK!

For requests concerning special sizes or specification changes etc., contact our sales staff.

Product number (product name) composition	Model name	Part number
3520	-	12A